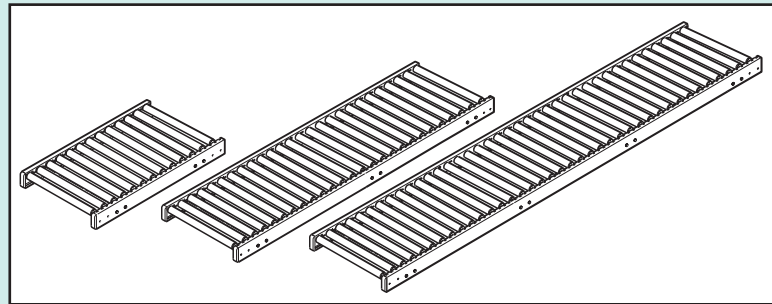


RN/RG Ø 32 - 75

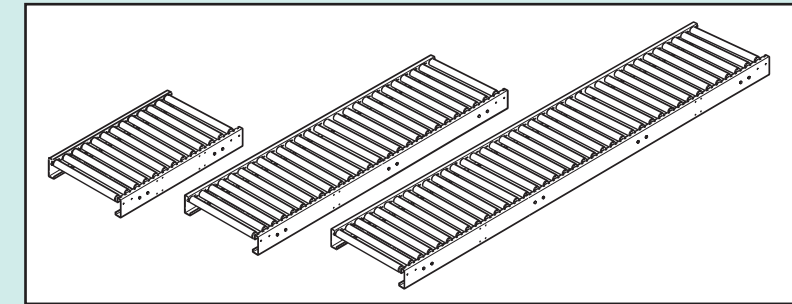
PIANO A RULLI Ø 32 A PROFILO BASSO
 CONVEYOR WITH LOW PROFILE FRAME Ø 32
 PLAN A ROULEAUX A PROFIL BAS Ø 32
 ROLLENBAHNEN MIT NIEDRIGEM PROFIL Ø 32
 PLANO DE RODILLOS DE PERFIL BAJO Ø 32



RN	Con cuscinetto in nylon With nylon bearing Avec coussinet en nylon Mit Kugellager aus Nylon Con rodamiento de nylon			RG	Con cuscinetto in metallo With stainless steel bearings Avec coussinets en acier Mit Kugellager aus Rostfreim Stahl Con rodamiento de bolas		
	w	l			w	l	
RN	500	375	7.8.04048	RG	500	375	7.8.04053
RN	500	970	7.8.04054	RG	500	970	7.8.04055
RN	500	1950	7.8.04056	RG	500	1950	7.8.04057
RN	650	375	7.8.04058	RG	650	375	7.8.04059
RN	650	970	7.8.04060	RG	650	970	7.8.04061
RN	650	1950	7.8.04062	RG	650	1950	7.8.04063
RN	800	970	7.8.04064	RG	800	970	7.8.04065
RN	800	1950	7.8.04068	RG	800	1950	7.8.04069

HRG Ø 48

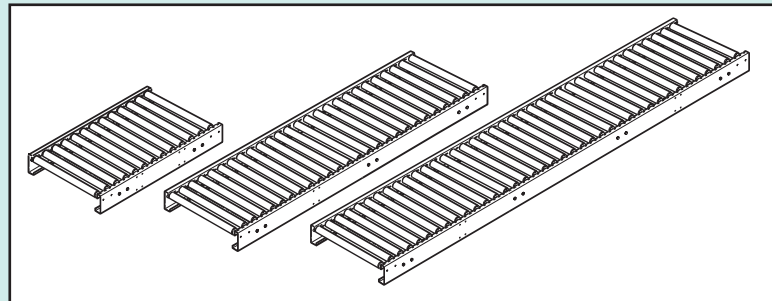
PIANO A RULLI Ø 48 A PROFILO ALTO
 CONVEYOR WITH HIGH PROFILE FRAME Ø 48
 PLAN A ROULEAUX A PROFIL HAUT Ø 48
 ROLLENBAHNEN MIT HÖHEM PROFIL Ø 48
 PLANO DE RODILLOS DE PERFIL ALTO Ø 48



HRG Ø 48 -75				HRG Ø 48 -112.5			
	w	l			w	l	
HRG Ø48	500	970	7.8.05353.00A	HRG Ø48	500	970	7.8.05354.00A
HRG Ø48	500	1950	7.8.05355.00A	HRG Ø48	500	1950	7.8.05356.00A
HRG Ø48	500	2925	7.8.05357.00A	HRG Ø48	500	2925	7.8.05358.00A
HRG Ø48	650	970	7.8.05359.00A	HRG Ø48	650	970	7.8.05360.00A
HRG Ø48	650	1950	7.8.05361.00A	HRG Ø48	650	1950	7.8.05362.00A
HRG Ø48	650	2925	7.8.05363.00A	HRG Ø48	650	2925	7.8.05364.00A
HRG Ø48	800	970	7.8.05365.00A	HRG Ø48	800	970	7.8.05366.00A
HRG Ø48	800	1950	7.8.05367.00A	HRG Ø48	800	1950	7.8.05368.00A
HRG Ø48	800	2925	7.8.05369.00A	HRG Ø48	800	2925	7.8.05370.00A

HRG Ø 32

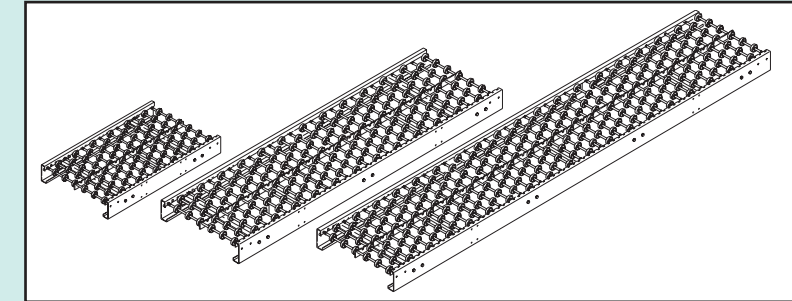
PIANO A RULLI Ø 32 A PROFILO ALTO
 CONVEYOR WITH HIGH PROFILE FRAME Ø 32
 PLAN A ROULEAUX A PROFIL HAUT Ø 32
 ROLLENBAHNEN MIT HÖHEM PROFIL Ø 32
 PLANO DE RODILLOS DE PERFIL ALTO Ø 32



HRG Ø 32 - 37.5				HRG Ø 32 - 75			
	w	l			w	l	
HRG Ø32	500	970	7.8.05335.00A	HRG Ø32	500	970	7.8.05336.00A
HRG Ø32	500	1950	7.8.05337.00A	HRG Ø32	500	1950	7.8.05338.00A
HRG Ø32	500	2925	7.8.05339.00A	HRG Ø32	500	2925	7.8.05340.00A
HRG Ø32	650	970	7.8.05341.00A	HRG Ø32	650	970	7.8.05342.00A
HRG Ø32	650	1950	7.8.05343.00A	HRG Ø32	650	1950	7.8.05344.00A
HRG Ø32	650	2925	7.8.05345.00A	HRG Ø32	650	2925	7.8.05346.00A
HRG Ø32	800	970	7.8.05347.00A	HRG Ø32	800	970	7.8.05348.00A
HRG Ø32	800	1950	7.8.05349.00A	HRG Ø32	800	1950	7.8.05350.00A
HRG Ø32	800	2925	7.8.05351.00A	HRG Ø32	800	2925	7.8.05352.00A

HRTP Ø 48

PIANO A ROTELLE Ø48 IN PLASTICA
 PLASTIC WHEEL Ø48 CONVEYORS
 CONVOYEURS A ROULETTES Ø48 EN PLASTIQUE
 BAHNEN MIT KUNSTSTOFFRÄDCHEN Ø 48
 PLANO CON RUEDECILLAS Ø 48 PLASTICOS



HRTP Ø 48-37.5				HRTP Ø 48-75			
	w	l			w	l	
HRTP Ø48	500	970	7.8.05371.00A	HRTP Ø48	500	970	7.8.05372.00A
HRTP Ø48	500	1950	7.8.05373.00A	HRTP Ø48	500	1950	7.8.05374.00A
HRTP Ø48	500	2925	7.8.05375.00A	HRTP Ø48	500	2925	7.8.05376.00A
HRTP Ø48	650	970	7.8.05377.00A	HRTP Ø48	650	970	7.8.05378.00A
HRTP Ø48	650	1950	7.8.05379.00A	HRTP Ø48	650	1950	7.8.05380.00A
HRTP Ø48	650	2925	7.8.05381.00A	HRTP Ø48	650	2925	7.8.05382.00A
HRTP Ø48	800	970	7.8.05383.00A	HRTP Ø48	800	970	7.8.05384.00A
HRTP Ø48	800	1950	7.8.05385.00A	HRTP Ø48	800	1950	7.8.05386.00A
HRTP Ø48	800	2925	7.8.05387.00A	HRTP Ø48	800	2925	7.8.05388.00A

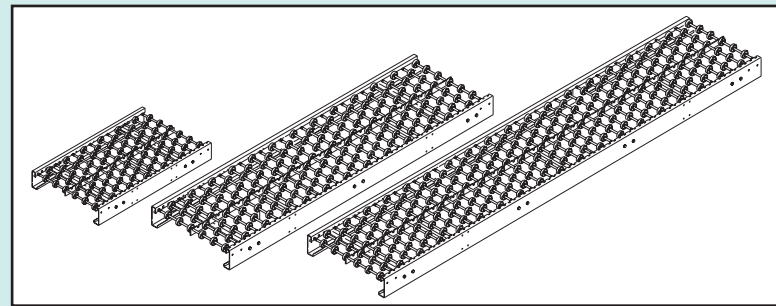
SPORT BOÎTES

Freie Förderungssysteme

Sistemas di transporte de libre rodaje

HRTZ Ø 48

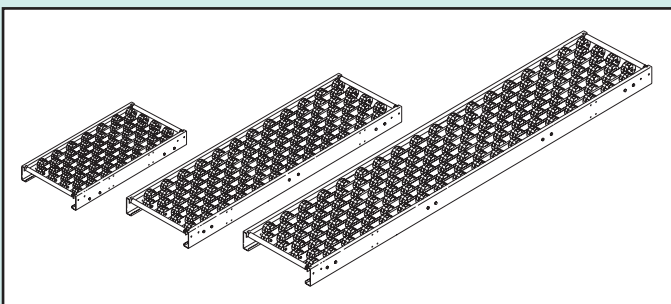
PIANO A ROTELLE Ø 48 IN ACCIAIO
 METAL WHEEL Ø48 CONVEYORS
 CONVOYEURS A ROULETTES Ø48 EN METAL
 BAHNEN MIT METALLRÄDCHEN Ø48
 PLANO CON RUEDECILLAS METALICOS Ø48



HRTZ Ø 48 -37,5				HRTZ Ø 48 -75			
	w	l		w	l		
HRTZ Ø48	500	970	7.8.05392.00A	HRTZ Ø48	500	970	7.8.05393.00A
HRTZ Ø48	500	1950	7.8.05394.00A	HRTZ Ø48	500	1950	7.8.05395.00A
HRTZ Ø48	500	2925	7.8.05396.00A	HRTZ Ø48	500	2925	7.8.05397.00A
HRTZ Ø48	650	970	7.8.05398.00A	HRTZ Ø48	650	970	7.8.05399.00A
HRTZ Ø48	650	1950	7.8.05400.00A	HRTZ Ø48	650	1950	7.8.05401.00A
HRTZ Ø48	650	2925	7.8.05402.00A	HRTZ Ø48	650	2925	7.8.05403.00A
HRTZ Ø48	800	970	7.8.05404.00A	HRTZ Ø48	800	970	7.8.05405.00A
HRTZ Ø48	800	1950	7.8.05406.00A	HRTZ Ø48	800	1950	7.8.05407.00A
HRTZ Ø48	800	2925	7.8.05408.00A	HRTZ Ø48	800	2925	7.8.05409.00A

HRMD

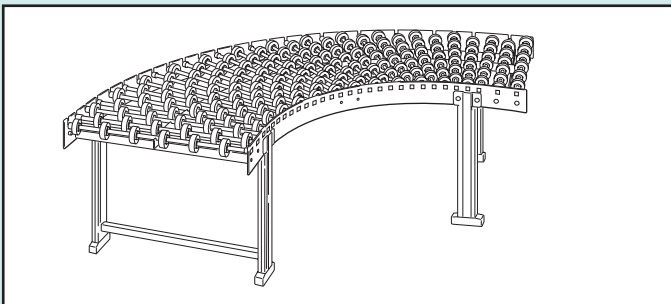
PIANO A ROTELLE MULTIDIREZIONALE
 MULTIDIRECTIONAL WHEELS CONVEYORS
 PLANS A ROULETTES MULTIDIRECTIONNELLES
 VIELGERICHTETE RÄDCHENPLAN
 PLANO CON RUEDECILLAS MULTIDIRECCIONAL



HRMD			
	w	l	
HRMD	500	1120	7.8.05323.00A
HRMD	650	1120	7.8.05324.00A
HRMD	800	1120	7.8.05325.00A

CV

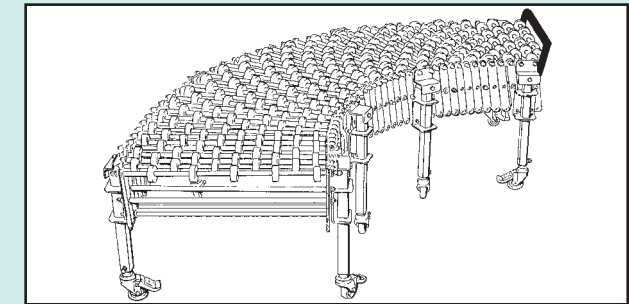
CURVE A ROTELLE FOLLI A 90°
 IDLER WHEEL CURVES A 90°
 COURBES A ROULETTES LIBRES A 90°
 KURVE MIT FREIEN RÄDCHEN A 90°
 CURVAS CON RUEDES LIBRES A 90°



CV					
	w	l	RAGGIO INTERNO INTERNAL RAY RAYON INTERIEUR INNERER RADIUS RADIO INTERNO	RAGGIO ESTERNO EXTERNAL RAY RAYON EXTERIEUR ÄUSSERER RADIUS RADIO EXTERNO	
CV	500	570	700	1270	7.8.00845
CV	650	720	700	1420	7.8.01113
CV	800	870	700	1570	7.8.01394

GTL

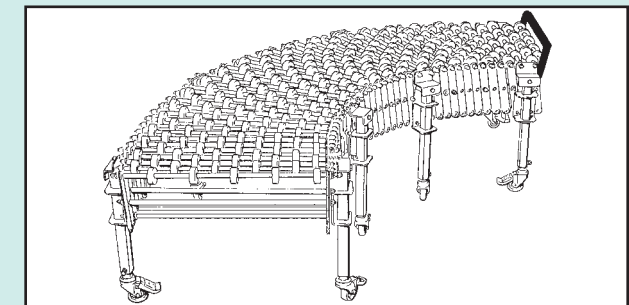
RULLIERA ESTENSIBILE CON ROTELLE IN PLASTICA
 PLASTIC WHEEL EXTENDABLE CONVEYORS
 CONVOYEUR EXTENSIBLES A ROULETTES PLASTIQUES
 AUSZIEHBARE BAHNEN MIT KUNSTSTOFFRÄDCHEN
 PLANO EXTENSIBLE CON RUEDECILLAS PLASTICOS



GTL							
	w	l		w	l		
400/3	400	1400/4500	7.8.01822	650/3	650	1400/4500	7.8.01824
500/3	500	1400/4500	7.8.01823	800/3	800	1400/4500	7.8.03994

GTM

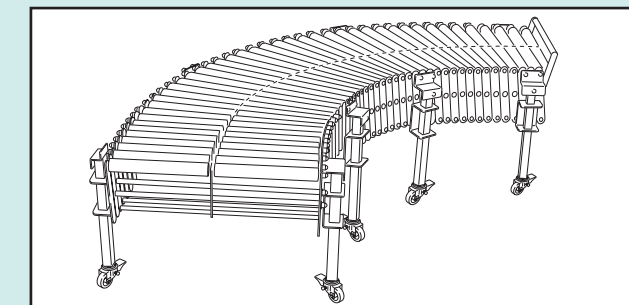
RULLIERA ESTENSIBILE CON ROTELLE IN METALLO
 METAL WHEEL EXTENDABLE CONVEYORS
 CONVOYEUR EXTENSIBLES A ROULETTES EN METAL
 AUSZIEHBARE BAHNEN MIT METALLRÄDCHEN
 PLANO EXTENSIBLE CON RUEDECILLAS METALICOS



GTM							
	w	l		w	l		
400/3	400	1400/4500	7.8.01817	650/3	650	1400/4500	7.8.04484.00A
500/3	500	1400/4500	7.8.01818	800/3	800	1400/4500	7.8.04485.00A

GTR

RULLIERA ESTENSIBILE CON RULLI IN METALLO
 METAL ROLLER EXTENDABLE CONVEYORS
 CONVOYEUR EXTENSIBLES A ROULEAUX EN METAL
 AUSZIEHBARE BAHNEN MIT METALLROLLEN
 PLANO EXTENSIBLE CON RODILLOS METALICOS

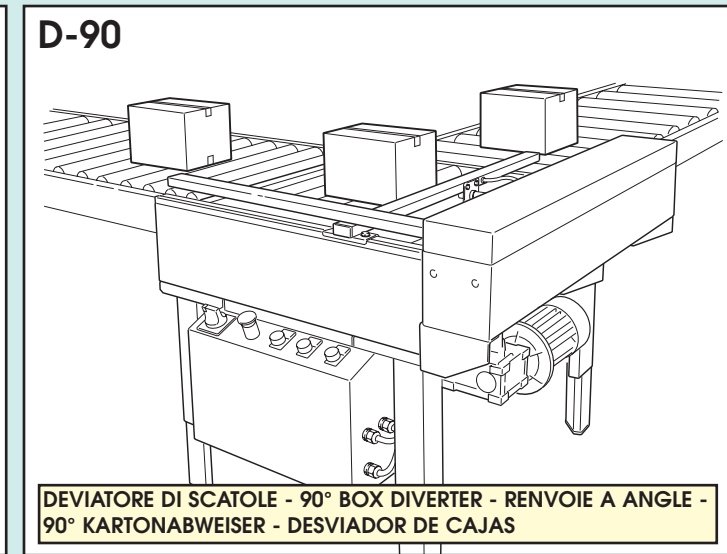
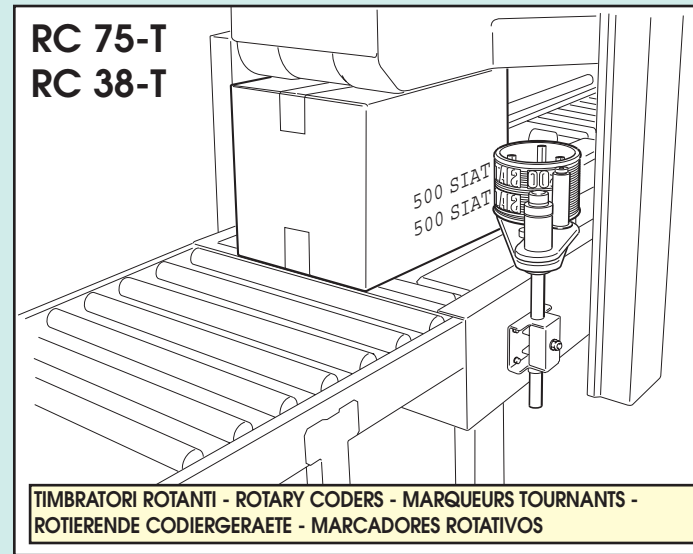
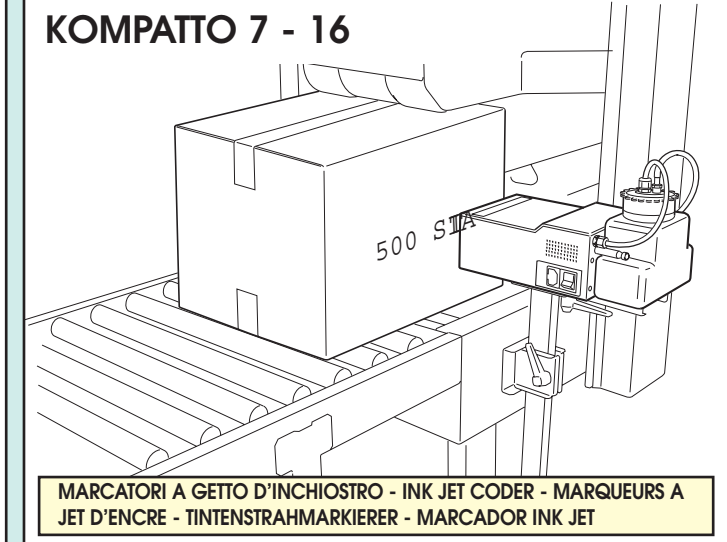
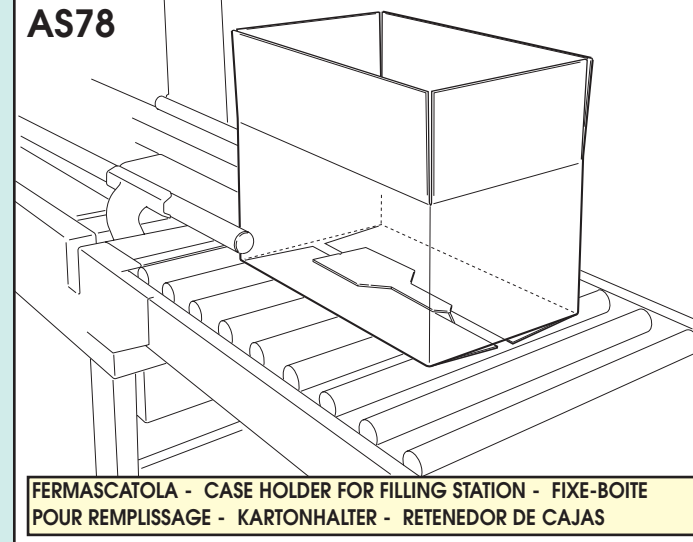


GTR							
	w	l		w	l		
400/3	400	1400/4500	7.8.01365	650/3	650	1400/4500	7.8.02159
500/3	500	1400/4500	7.8.01141	800/3	800	1400/4500	7.8.04116

PIASTRE DI COLLEGAMENTO - CONNECTING BRACKETS - SET GOUSSETS DE FIXATION - KUPPLUNGEN - PLETINAS DE UNION

ACCESSORI - ACCESSORIES - ACCESSOIRES - ZUBEHÖR - ACCESORIOS

TO CONNECT WITH →	RN-RG	CT type B	GT	CV	F-104	F-144 F-145 F-146	SM	XL SM11 SM44 SM48	AS-22	AG-21	HR
RN-RG	CB3 4.7.08381 .00A	CB26 4.7.13536 .00A	CB7 4.7.09000 .00A	CB3 4.7.08381 .00A	CB4 4.7.08380 .00A	CB2 4.7.08378 .00A	CB1 4.7.08377 .00A	CB2 4.7.08378 .00A	CB9 4.7.08379 .00A	CB14 4.7.09006 .00A	N/A
CT Type B	CB26 4.7.13536 .00A	CB25 4.7.13440 .00A	CB24 4.7.13439 .00A	CB26 4.7.13536 .00A	CB33 4.7.13743 .00A	CB27 4.7.13674 .00A	CB23 4.7.13271 .00A	CB27 4.7.13674 .00A	N/A	N/A	CB26 4.7.13536 .00A
GT	CB7 4.7.09000 .00A	CB24 4.7.13439 .00A	CB8 4.7.09001 .00A	CB7 4.7.09000 .00A	CB10 4.7.09002 .00A	CB11 4.7.09003 .00A	CB5 4.7.04308	CB11 4.7.09003 .00A	CB12 4.7.09004 .00A	CB13 4.7.09005 .00A	CB30 4.7.13730 .00A
CV	CB3 4.7.08381 .00A	CB26 4.7.13536 .00A	CB7 4.7.09000 .00A	CB3 4.7.08381 .00A	CB3 4.7.08381 .00A	CB2 4.7.08378 .00A	CB1 4.7.08377 .00A	CB2 4.7.08378 .00A	CB9 4.7.08379 .00A	CB14 4.7.09006 .00A	CB28 4.7.13728 .00A
F-104	CB4 4.7.08380 .00A	CB33 4.7.13743 .00A	CB10 4.7.09002 .00A	CB4 4.7.08380 .00A	N/A	N/A	CB15 4.7.09007 .00A	CB16 4.7.09008 .00A	N/A	N/A	CB32 4.7.13740 .00A
F-144 F-145 F-146	CB2 4.7.08378 .00A	CB27 4.7.13674 .00A	CB11 4.7.09003 .00A	CB2 4.7.08378 .00A	N/A	N/A	N/A	N/A	N/A	N/A	CB2 4.7.08378 .00A
SM	CB1 4.7.08377 .00A	CB23 4.7.13271 .00A	CB5 4.7.04308	CB1 4.7.08377 .00A	CB15 4.7.09007 .00A	N/A	N/A	N/A	N/A	N/A	CB1 4.7.08377 .00A
XL SM11 SM44 SM48	CB2 4.7.08378 .00A	CB27 4.7.13674 .00A	CB11 4.7.09003 .00A	CB2 4.7.08378 .00A	CB16 4.7.09008 .00A	N/A	N/A	N/A	CB17 4.7.09009 .00A	CB18 4.7.09010 .00A	CB2 4.7.08378 .00A
AS-22	CB9 4.7.08379 .00A	CB9 4.7.08379 .00A	CB12 4.7.09004 .00A	CB9 4.7.08379 .00A	N/A	N/A	N/A	CB17 4.7.09009 .00A	N/A	N/A	CB9 4.7.08379 .00A
AG-21	CB14 4.7.09006 .00A	CB14 4.7.09006 .00A	CB13 4.7.09005 .00A	CB14 4.7.09006 .00A	N/A	N/A	N/A	CB10 4.7.09002 .00A	N/A	N/A	CB29 4.7.13729 .00A
HR	N/A	CB26 4.7.13536 .00A	CB30 4.7.13730 .00A	CB28 4.7.13728 .00A	CB32 4.7.013740 .00A	CB2 4.7.08378 .00A	CB1 4.7.08377 .00A	CB2 4.7.08378 .00A	CB9 4.7.08379 .00A	CB29 4.7.13729 .00A	CB31 4.7.13739 .00A



M1

Altezza Height Hauteur Höhe Altura	Larghezza Width Largeur Breite Ancho	Profondità Depth Profondeur Tiefe Profundidad	Ruote Casters Roues Räder Ruedas	Superficie utile Usable surface Surface utile Nutzbare Fläche Superficie útil	Codice articolo Article code Code article Artikel Nummer Codigo articulo
1235/1520	985	800	Ø 80	900 x 800	7.8.02221

CARRELLO PORTA CARTONI - CARTON CART - CHARIOT A BOITES - KARTONWAGE - ALMACEN DE CAJAS

Cod. Pubbl.: 5.6.00229.01

N/A = Non Applicabile - Not Applicable - Pas Applicable - Unanwendbar - No Aplicable

Siat S.p.A. - Via Puecher, 22 - 22078 TURATE (CO) ITALY- P.O. BOX 1
Tel. (+39) 02 964951 - Telefax (+39) 02 9689727
E-Mail siat@siat.com - http://www.siat.com



siat[®]

the new generation



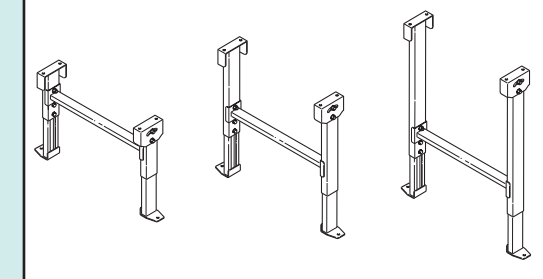
Sistemi di trasporto e accessori
 Case transportation systems and accessories
 Systèmes de transport boîtes et accessoires
 Fördersysteme für Kartons und Zubehöre
 Sistema de transporte de cajas y accesorios



ACCESSORI - ACCESSORIES - ACCESSOIRES - ZUBEHÖR - ACCESORIOS

HST

CAVALLETTI PER PIANO A RULLI TIPO HRMD - HRG Ø 32/48
 ADJUSTABLE LEGS FOR HRMD - HRG Ø 32/48 CONVEYORS
 PIEDS REGLABLES POUR CONVOYEURS HRMD - HRG Ø 32/48
 VERSTELLBARE STÜTZE FÜR ROLLENBAHNEN TYP HRMD - HRG Ø 32/48
 PATAS PARA PLANO DE RODILLOS TIPO HRMD - HRG Ø 32/48

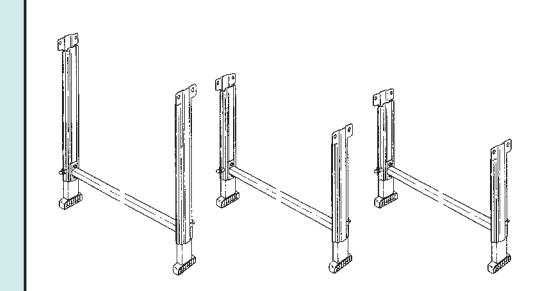


HST

	w	h			w	h	
HST-55	500	390/550	7.8.05326.00A	HST-83	800	540/830	7.8.05331.00A
HST-55	650	390/550	7.8.05327.00A	HST-120	500	740/1230	7.8.05332.00A
HST-55	800	390/550	7.8.05328.00A	HST-120	650	740/1230	7.8.05333.00A
HST-83	500	540/830	7.8.05329.00A	HST-120	800	740/1230	7.8.05334.00A
HST-83	650	540/830	7.8.05330.00A				

ST

CAVALLETTI PER PIANO A RULLI TIPO RN - RG Ø 32
 ADJUSTABLE LEGS FOR RN - RG Ø 32 CONVEYORS
 PIEDS REGLABLES POUR CONVOYEURS RN - RG Ø 32
 VERSTELLBARE STÜTZE FÜR ROLLENBAHNEN TYP RN - RG Ø 32
 PATAS PARA PLANO DE RODILLOS TIPO RN - RG Ø 32

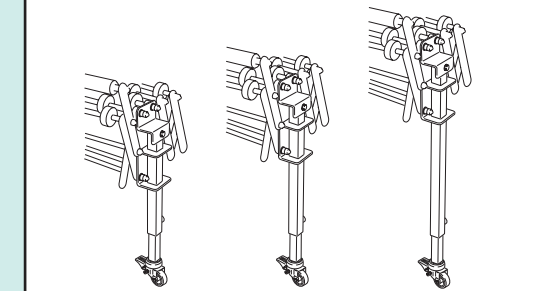


ST

	w	h			w	h	
ST-55	500	380/550	7.8.04070	ST - 83	800	520/830	7.8.04078
ST-55	650	380/550	7.8.04073	ST-120	500	800/1230	7.8.04072
ST-55	800	380/550	7.8.04077	ST-120	650	800/1230	7.8.04076
ST-83	500	520/830	7.8.04071	ST-120	800	800/1230	7.8.04079
ST-83	650	520/830	7.8.04075				

LE

GAMBE CON RUOTE PER GTL - GTM - GTR
 LEGS WITH CASTERS FOR GTL - GTM - GTR
 PIEDS AVEC ROUES POUR GTL - GTM - GTR
 STÜTZEN MIT RÄDERN FÜR GTL - GTM - GTR
 PATAS CON RUEDAS PARA GTL - GTM - GTR



LE

	w	h			w	h	
LE-48	350	480	4.7.08804	LE-115	700	1150	4.7.08806
LE-78	500	780	4.7.08805	LE-170	1000	1700	4.7.08807